

REV
B DTT-16-02

REVISIONS			
SYM	DESCRIPTION	DATE	APPROVED
NC	NEW RELEASE PER E.O. P17471	11-26-01	R.D.R.
A	REVISED PER E.O. P18570	5-14-04	R.D.R.
B	REVISED PER E.O. P19060	5-5-06	ADR

CRIMP DATA		
1060-16-12** PIN 4		
1062-16-12** SOCKET 4		
CAVITY	CONDUCTOR WIRE SIZE 3	INSULATION RANGE
A	1.0 mm ² 16 AWG(TXL)	.075 - .100 [1.91 - 2.54]
	1.5 mm ²	
B	1.5 mm ² 16 AWG(SXL, GXL)	.095 - .132 [2.41 - 3.35]
	14 AWG(GXL, TXL)	
	2.5 mm ² 12 AWG(TXL)	

- 6 CONDUCTOR CRIMP TO BE MEASURED USING A BLADE MICROMETER WITH .100 [2.54] MIN SPINDLE AND .060/.010 [1.52/.25] ANVIL. SEE SECTION A-A.
5. EACH TOOL INCLUDES AN INSTRUCTION MANUAL 0425-058-0000.
- 4 **=CONTACT PLATING CODE (22=NICKEL; 44=SELECTIVE GOLD).
- 3 CONDUCTOR TYPES ARE PER SAE J1128(AWG) AND ISO 6722(METRIC).
2. TOOL IS BLACK WITH YELLOW HANDLES.
1. DIMENSIONS ARE IN INCHES [mm].
- NOTES: UNLESS OTHERWISE SPECIFIED.

SIGNATURE & DATE	
DR	J.LIM 10/15/05
CHK	D.Mey 5/1/06
PE	D.Mey 5/1/06
APPD	R.Rads 5-5-06
SCALE	NONE WT 1.6 LB

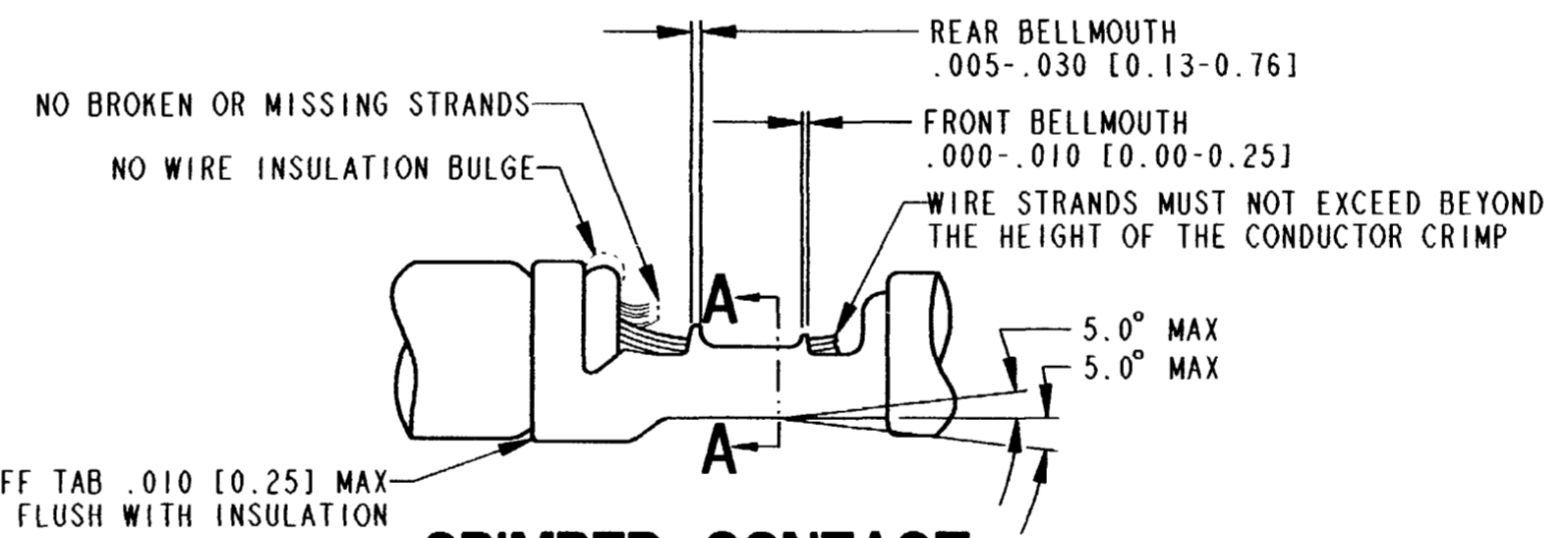
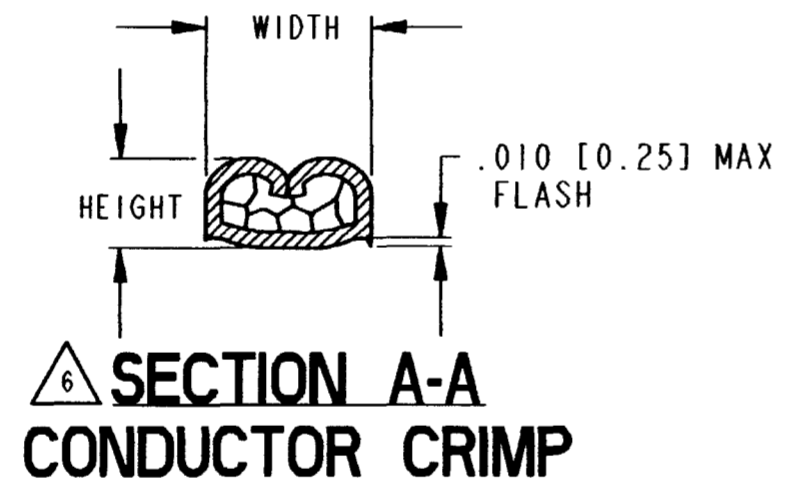
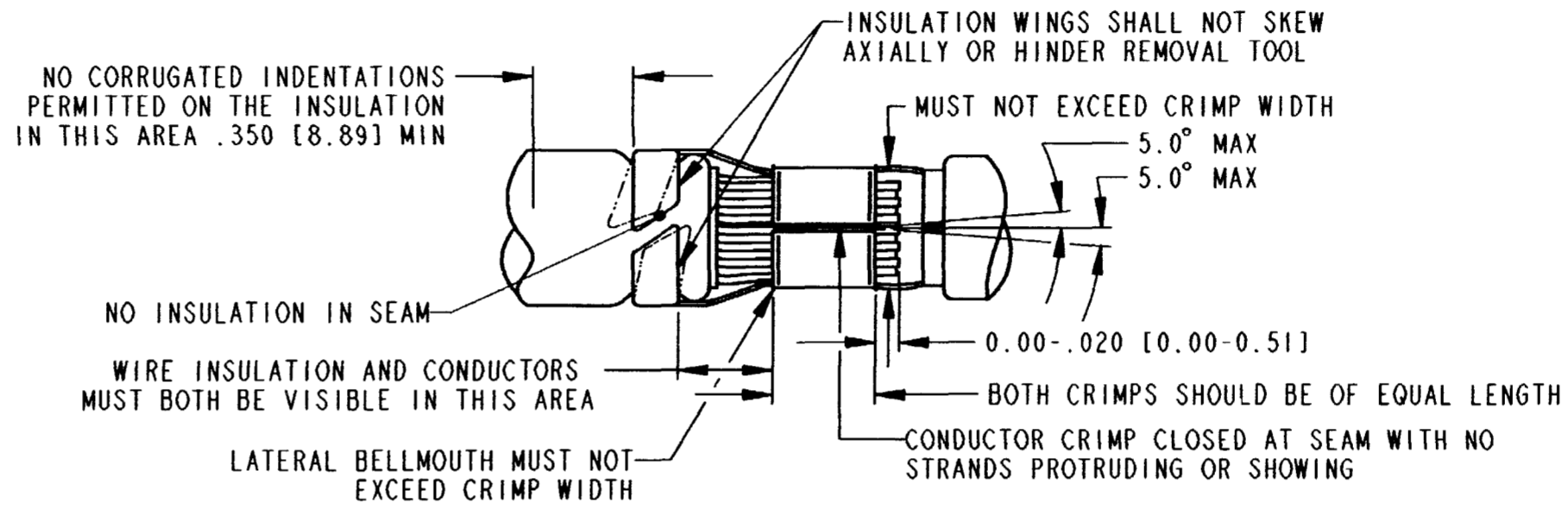
FIELD MAINTENANCE
CRIMP TOOL
DTT-16-02
16 SIZE S/F

ENVELOPE

CP	EPIII	MATL. CODE
The Deutsch Company		
DEUTSCH I.P.D. 3850 INDUSTRIAL AVE. HEMET, CALIF. 92545		
B	DTT-16-02	
	DWG SIZE	CODE 11139 SHEET 1 OF 2

REV B DTT-16-02

REVISIONS			
SYM	DESCRIPTION	DATE	APPROVED
	SEE SHEET 1	5-5-06	RDR



NOTES:

SIGNATURE & DATE		FIELD MAINTENANCE CRIMP TOOL DTT-16-02 16 SIZE S/F	CP EPIII	MATL. CODE
DR	J.LIM 10/15/05		The Deutsch Company	
CHK	D.Mey 5/1/06		DEUTSCH I.P.D. 3850 INDUSTRIAL AVE. HEMET, CALIF. 92545	
PE	D.Mey 5/1/06			
APPD	R.Reid 5-5-06		B DTT-16-02	
SCALE	WT	ENVELOPE	DWG SIZE	CODE 11139 SHEET 2 OF 2